

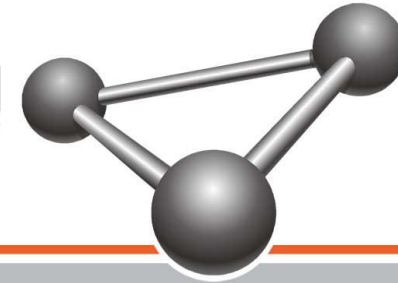
Actuating packages



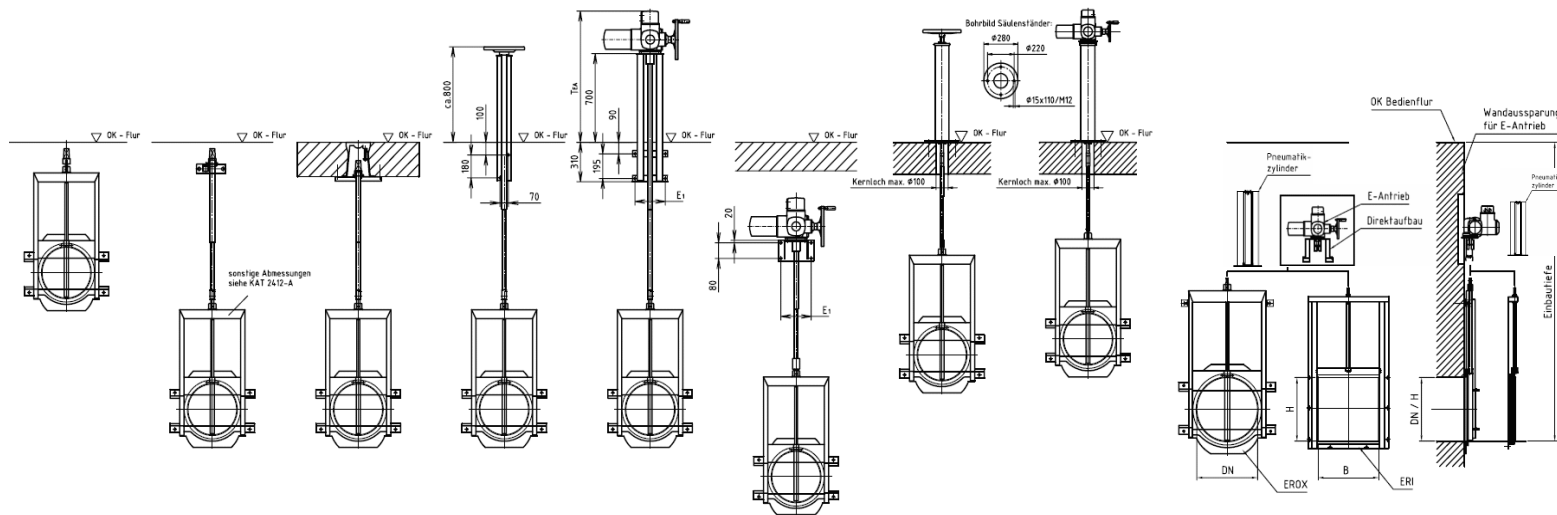
Andreas Kerl
Produkt-Management

Nürnberg, den 18.01.2010

www.buesch.com



Actuating packages 1 - 10, telescopic



AP 1

Stem
square
cap

AP 2

telesc. spindle-
extension,
adjustable
Wall bracket,
stem square cap

AP 3

telesc. spindle-
extension,
Slab bearing,
stem square cap

AP 4

telesc. spindle-
extension
bracket
headstock,
handwheel

AP 5

telesc. spindle-
extension,
bracket
headstock,
spindlebearing

AP 6

telesc. spindle-
extension,
wall bracket,
spindlebearing

AP 7

telesc. spindle-
extension,
Headstock,
handwheel

AP 8

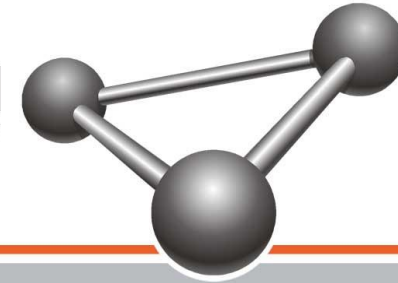
telesc. spindle-
extension,
Headstock,
spindlebearing

AP 9

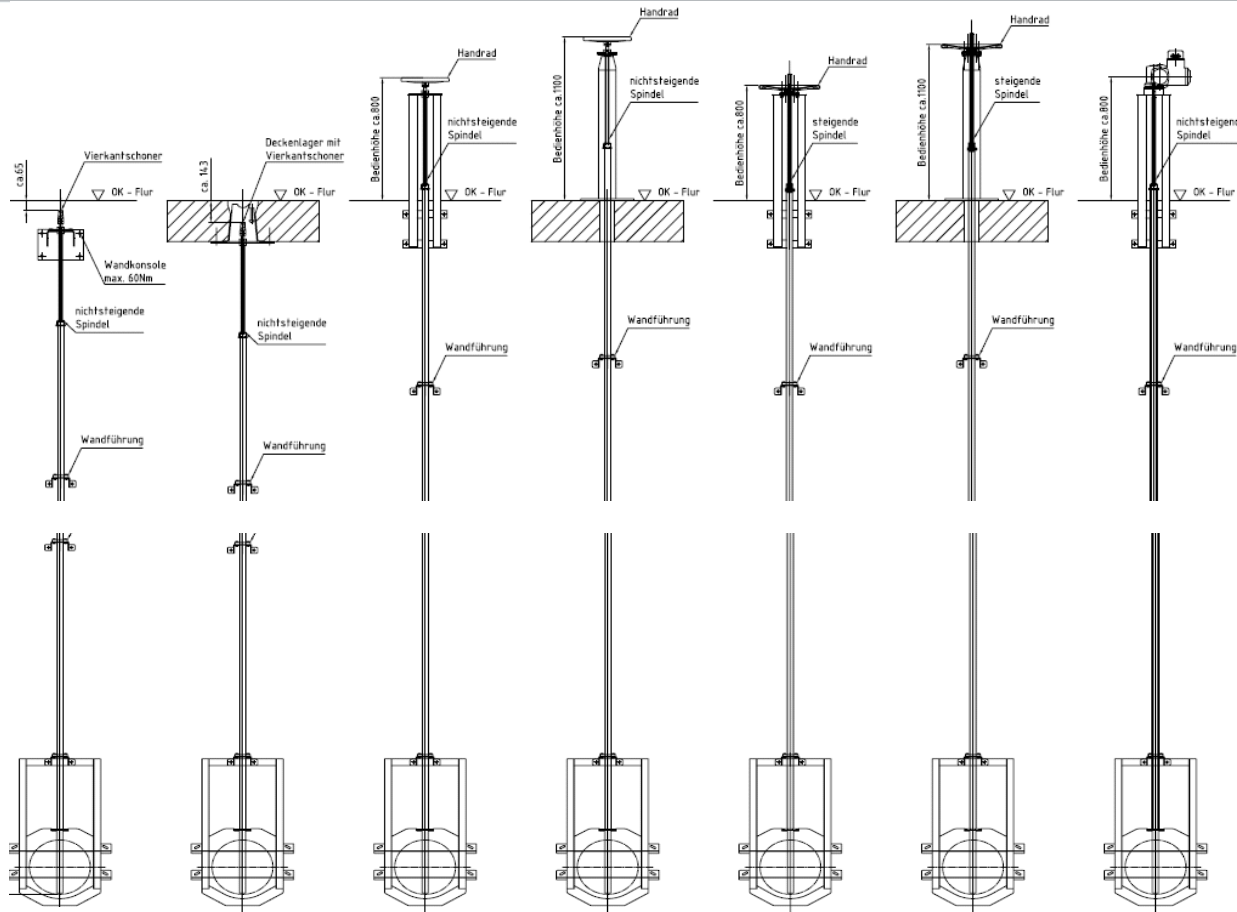
Direct mounted
e-actuator

AP 10

Direct mounted
pneumatic-cylinder



Actuating packages 11 - 17, stem extension



Stem extension in standard length of 3m or 6m, or order-related in the length acc. to approved installation drawing. There is the possibility of 100mm length adjustment within the spindle.

AP11
Stem square cap with Wall barcket for non-rising spindle

AP12
Slab bearing with Stem square cap for non-rising spindle

AP13
Bracket headstock With handwheel for Non-rising spindle

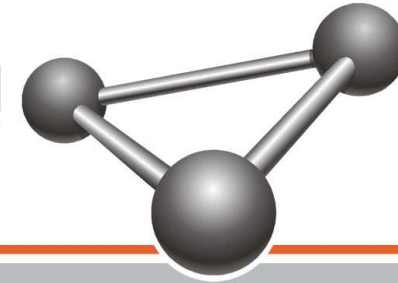
AP14
Headstock with Handwheel for Non-rising spindle

AP15
Bracket headstock with Handwheel for rising spindle

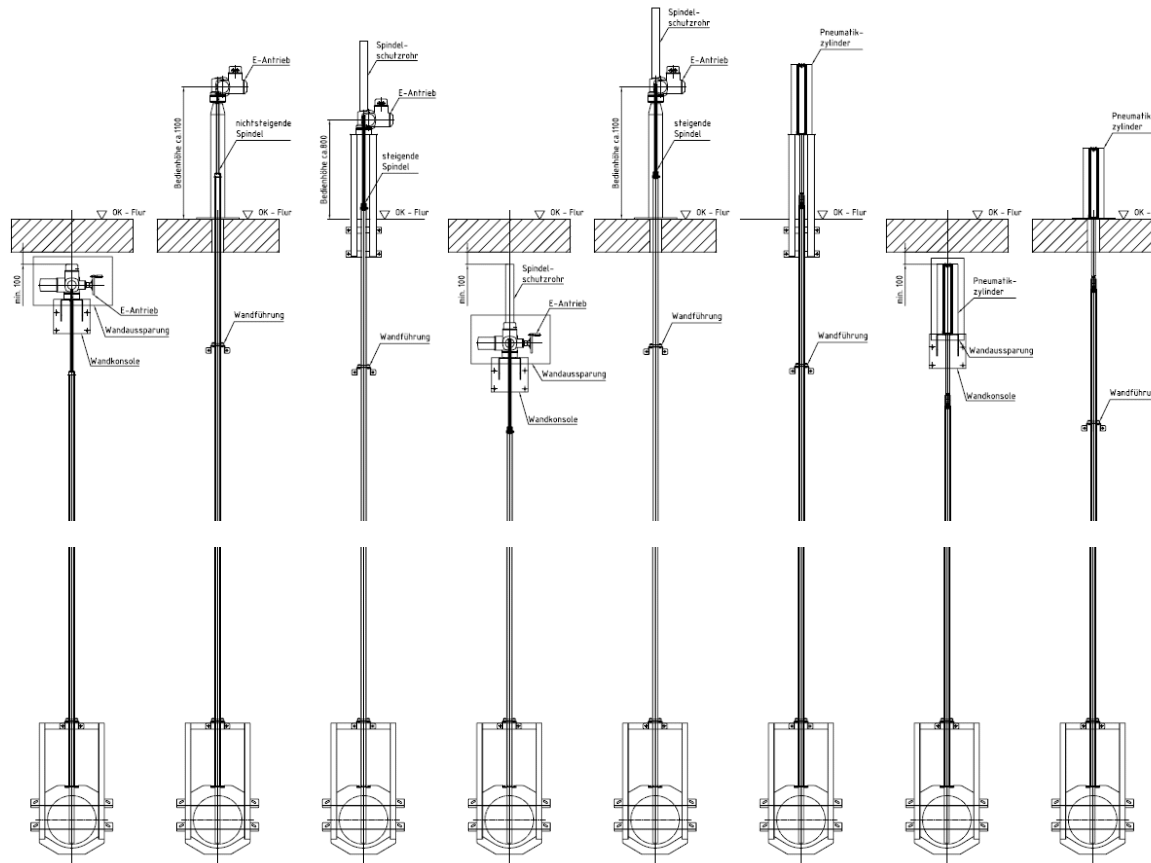
AP16
Headstock with Handwheel for rising spindle

AP17
bracket headstock with E-actuator for non-rising spindle

Installation depth = top edge operator level - pipes bottom edge
All Packages in SS304 (1.4301) or SS316 (1.4571) available
E-Actuators and pneumatic-cylinders not included



Actuating packages 18 - 25, stem extension



AP18
E-actuator with wall bracket for non-rising spindle

AP19
E-actuator with Headstock for non-rising spindle

AP20
E-actuator with bracket headstock for rising spindle

AP21
E-actuator with Wall bracket for rising spindle

AP22
E-actuator with headstock for rising spindle

AP23
Pneumatic-cylinder with bracket headstock for non-rising spindle

AP24
Pneumatic-cylinder with wallbracket for non-rising spindle

AP25
Pneumatic-cylinder on slap bearing for non-rising spindle

Stem extension in standard length of 3m or 6m, or order-related in the length acc. to approved installation drawing. There is the possibility of 100mm length adjustment within the spindle.

Installation depth = top edge operator level - pipes bottom edge
All Packages in SS304 (1.4301) or SS316 (1.4571) available
E-Actuators and pneumatic-cylinders not included