

E2

DN 600

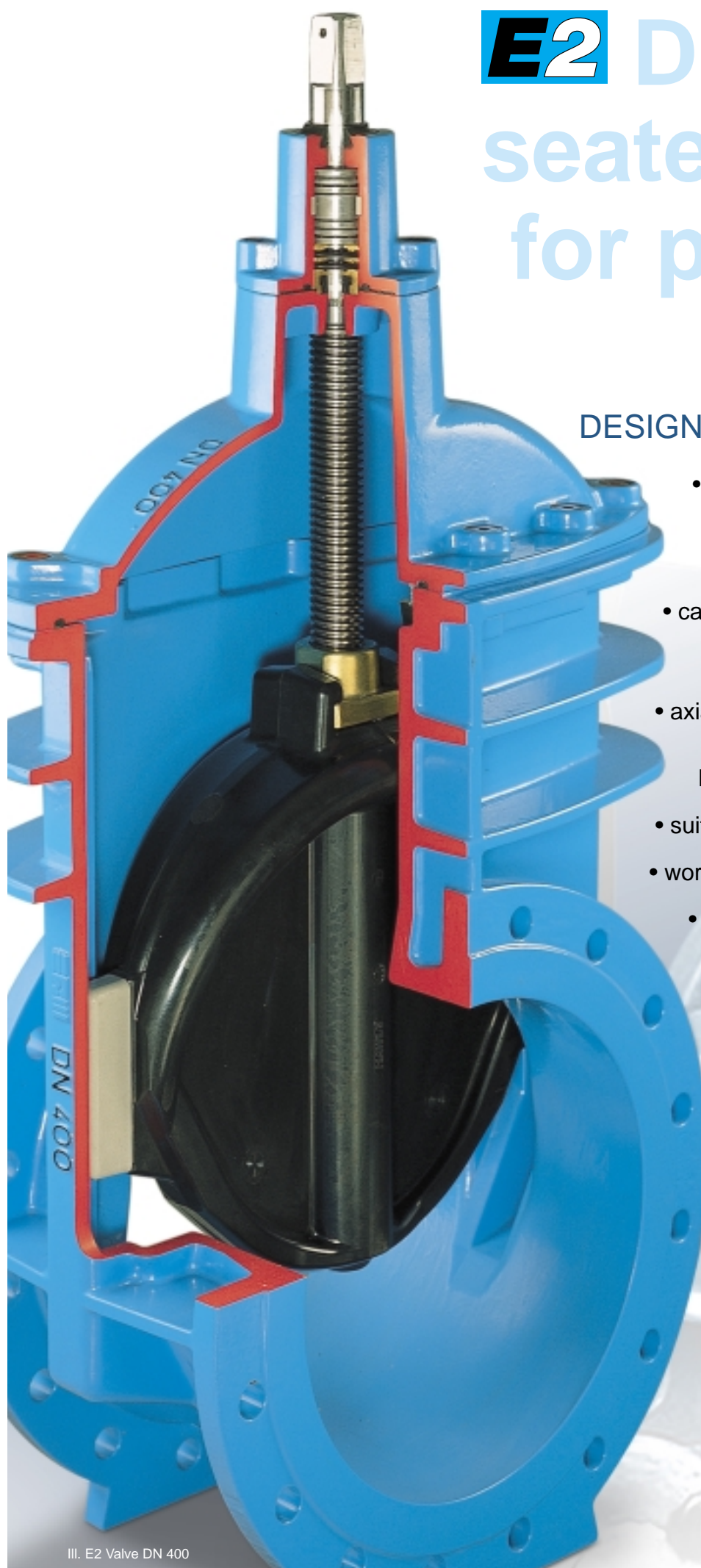
NEW



Enter a
new dimension ...

hawle
one step ahead

E2 DN 600 - the seated gate valve for potable water

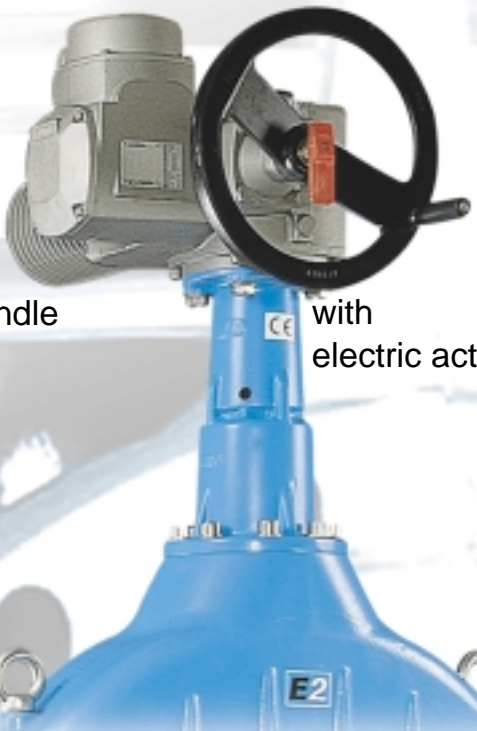


DESIGN FEATURES:

- working pressure 16 bar
- 100% suitable for underground installation
- can be operated without by-pass and without power assistant - even at differential of 16 bar
- axial ball bearings guarantee lowest wear and tear and lowest closing torque
- suitable in different situations
- working temperature up to 40° C
- suitable for seawater, with higher quality spindle
- other application on request
- corrosion protection according to GSK (Gütegemeinschaft Schwerer Korrosionsschutz)
- dimension (short pattern): 390 mm
- dimension (long pattern): 800 mm
- weight (short pattern): 710 kg (735 kg with by-pass)
- weight (long pattern): 810 kg (835 kg with by-pass)

DESIGN OPTIONS


for Hawle **E2** Valve DN 600:



with extension spindle
rigid or
telescopic*



with
electric actuator*



with hand-
wheel*

In case of the Hawle **E2** Valve DN 600 the operating moment is applied directly via the valve spindle by means of axial ball bearings without any additional mechanical drive. Therefore, the effective load on the valve is equivalent to the operating moment. The wedge, the spindle, the wedge nut and the spindle bearing of the Hawle E2 DN 600 are not exposed to increased load.

SPECIAL EQUIPMENT

for the Hawle **E2** Valve DN 600

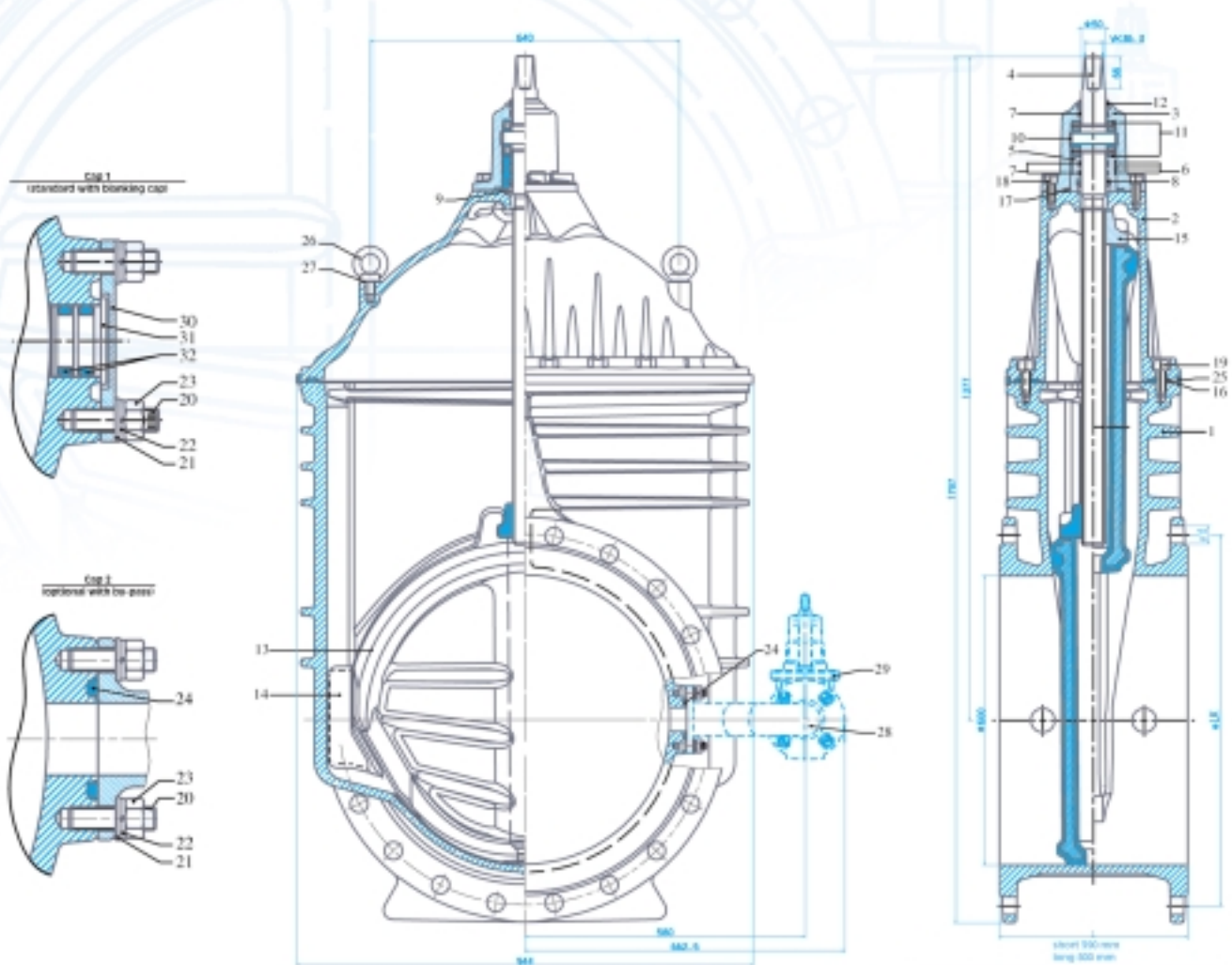
The DN 50 by-pass, optional equipment for the E2 valve DN 600, can be provided, i. e. for slowly filling the pipe. The operating torque of the E2 valve DN 600 is not influenced by the by-pass.

*All versions can also be supplied with angular gear drive.



Hawle **E2** Valve DN 600

TECHNICAL DETAILS



	Ø LK	Ø d	flanges per flange
PN 10	725	31	20 pcs. / PN7
PN 16	770	37	20 pcs. / MS3

TECHNICAL DETAILS

No.	Parts	Material
1	E2 short PN10/PN16 body	ductile iron
2	E2 bonnet	ductile iron
3	E2 center housing	ductile iron
4	E2 spindle	1.4021
5	E2 O ring bush	Ms
6	O rings	elastomer
7	Sealing ring	elastomer
8	E2 back seal	elastomer
9	Spring pin	A2
10	E2 center ring	POM
11	Ball bearing	---
12	E2 wiper ring	elastomer
13	E2 wedge	ductile iron
14	E2 wedge guide	POM
15	E2 wedge nut	RG7
16	E2 bonnet gasket	elastomer
17	E2 center housing gasket	elastomer
18	Allen screws	8.8
19	Allen screws	8.8
20	Bolts	A2
21	Washer	A2
22	Lock washer DIN 127B	A2
23	SK nut	A4/GLEITMO 900
24	O ring	elastomer
25	E2 edge protecting ring	PE
26	Hexagon nut	STEEL C15/VERZ
27	Washer	polyamide
28	by-pass pipe	ductile iron
29	E2 valve DN 50	ductile iron
30	E2 blanking cap	ST-37
31	E2 isolation cap	PE
32	O ring	elastomer



Valve DN 600

Enter a new dimension

hawle

E. Hawle Armaturenwerke GmbH

A-4840 Vöcklabruck - AUSTRIA

Wagrainer Straße 13

www.hawle.at

Telefon: +43 (0)7672-725 76-0 Serie

Telefax: +43 (0)7672-784 64

E-mail: hawle@hawle.at