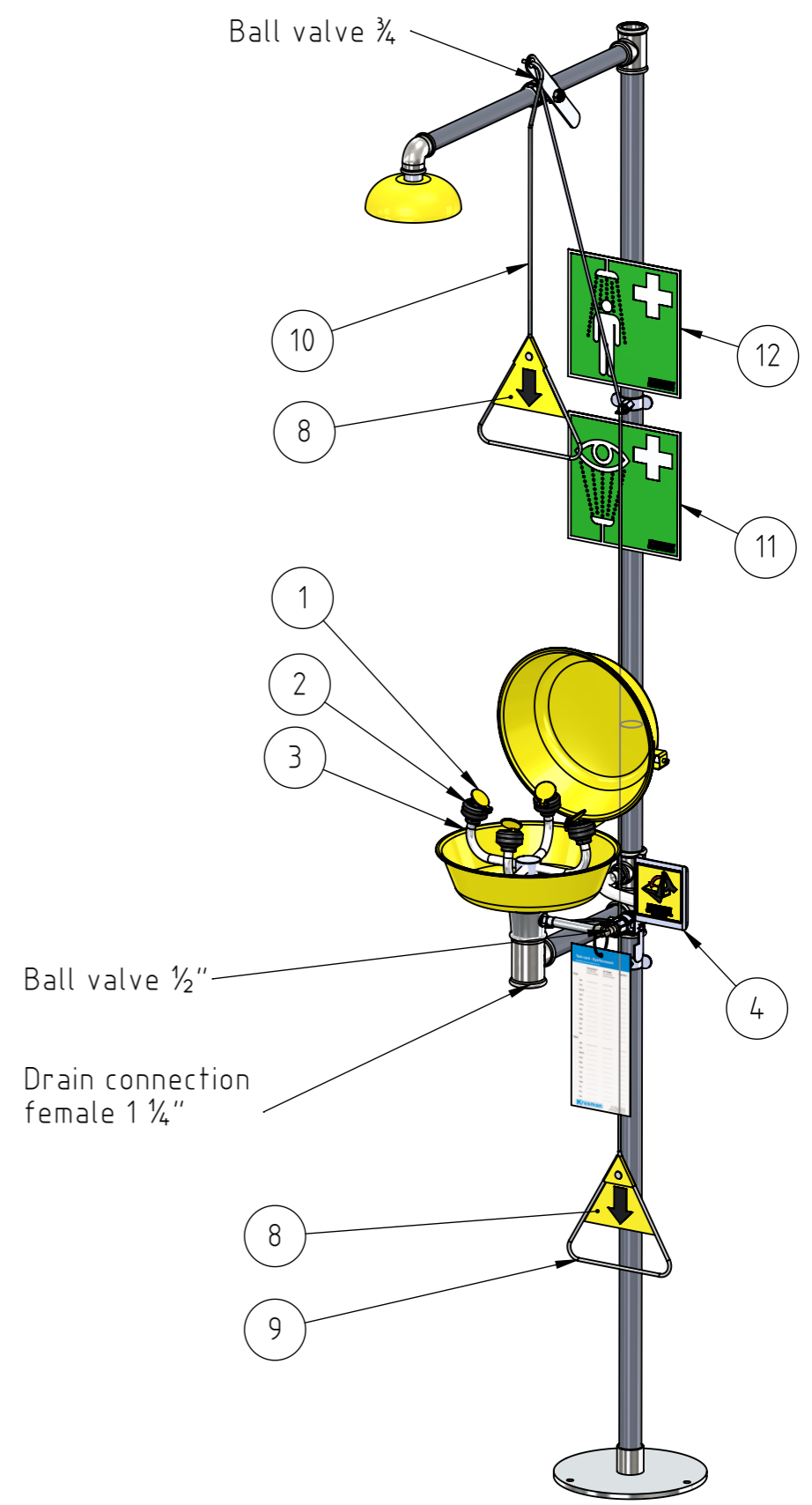
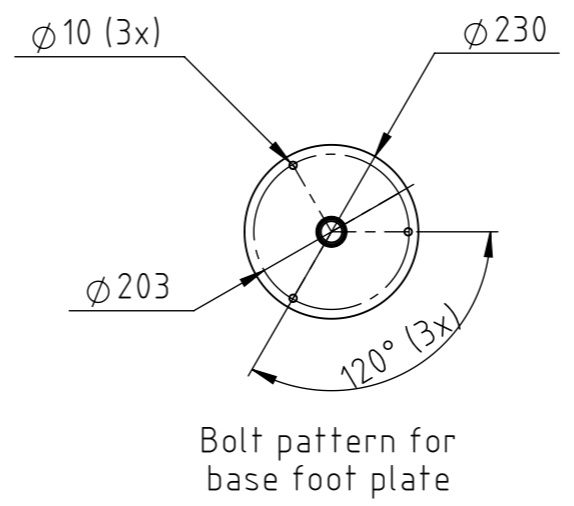
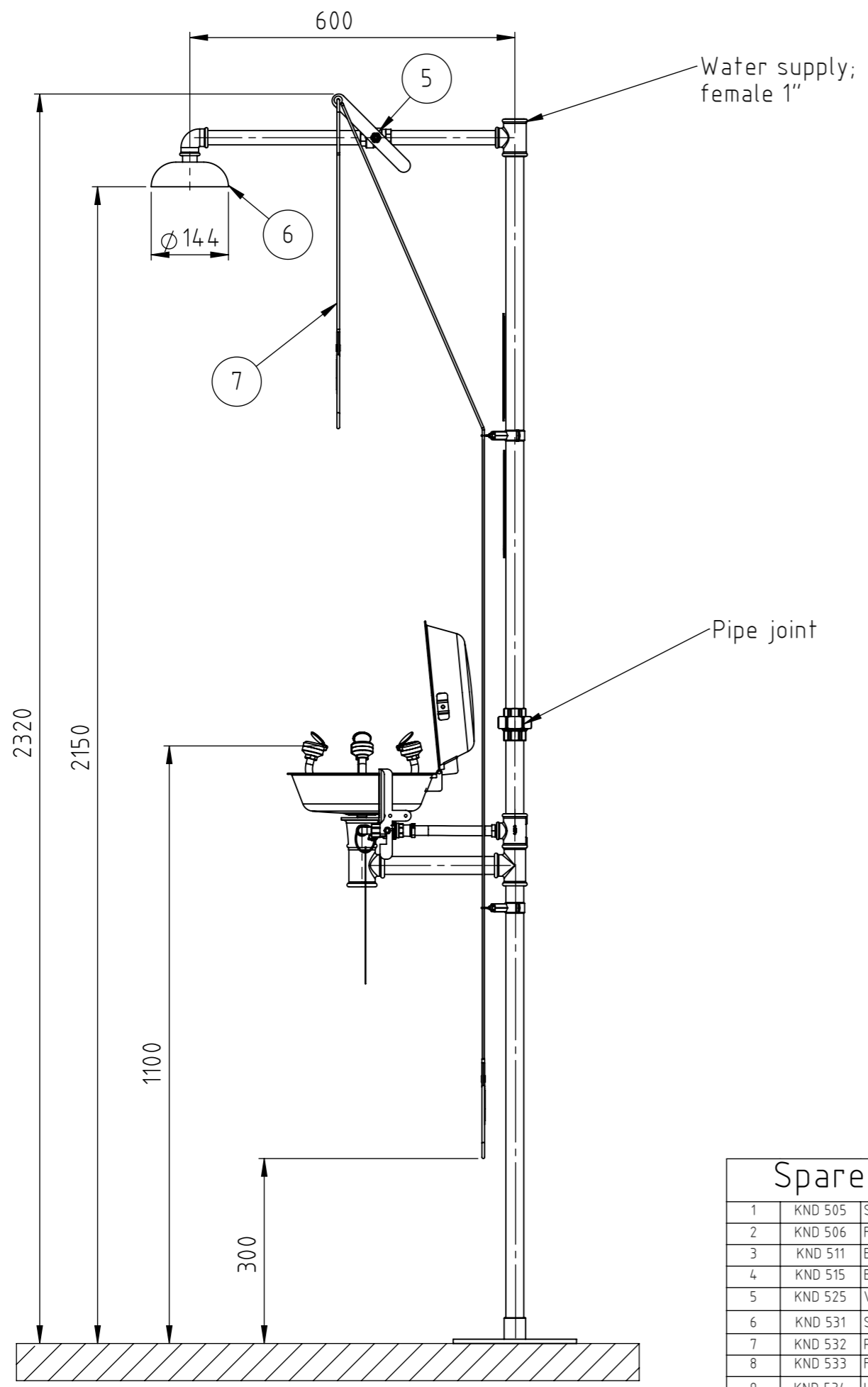


This document must not be copied without our written permission, and the contents thereof must not be imparted to a third party nor be used for any unauthorized purpose. Contravention will be prosecuted.



Spare parts list		
1	KND 505	Spray head
2	KND 506	Filter for spray head
3	KND 511	Eye/face wash outlet
4	KND 515	Ball valve with push plate
5	KND 525	Valve emergency shower
6	KND 531	Shower head
7	KND 532	Pull handle
8	KND 533	Flag
9	KND 534	Handle
10	KND 540	Complete pull rod
11	KND 540	Emergency sign, eye wash
12	KND 547	Emergency sign, shower

Företag/Company	Konstruerad Av/Designed by	Godkänd Av/Approved by	Datum/Date	Skala/Scale	
Krusman EMERGENCY SHOWERS	JB	TA	2021-03-19	1:10	
Benämning/Description			Format/Size		Ritningsnummer/Drawing number R3888
Combination Shower RSK 821 3888			A3		
Installation drawing			Rev	Blad/Sheet	1 (1)
			0		

+46 (0)21 14 92 00
www.krusman.se