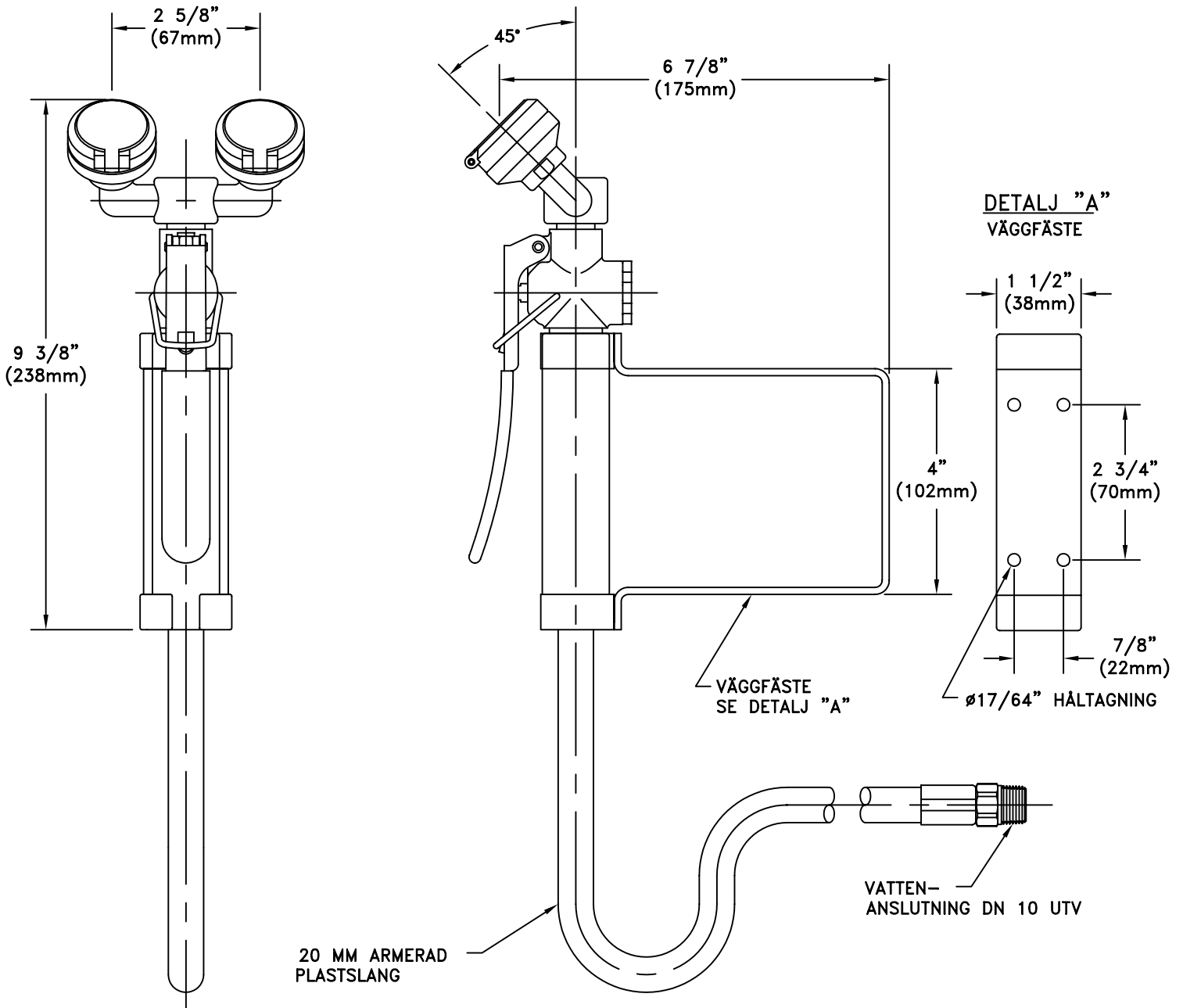


KN5026  
EYE WASH/DRENCH HOSE UNIT, WALL MOUNTED



UNITS (EXCEPT THOSE WITH SELF-CLOSING VALVES) COMPLY WITH THE REQUIREMENTS OF ANSI Z358.1.

TEST ALL EMERGENCY EQUIPMENT AT LEAST WEEKLY.

Drawing Number: K302-260

Approved: \_\_\_\_\_

Revision Number: 100703-TPS