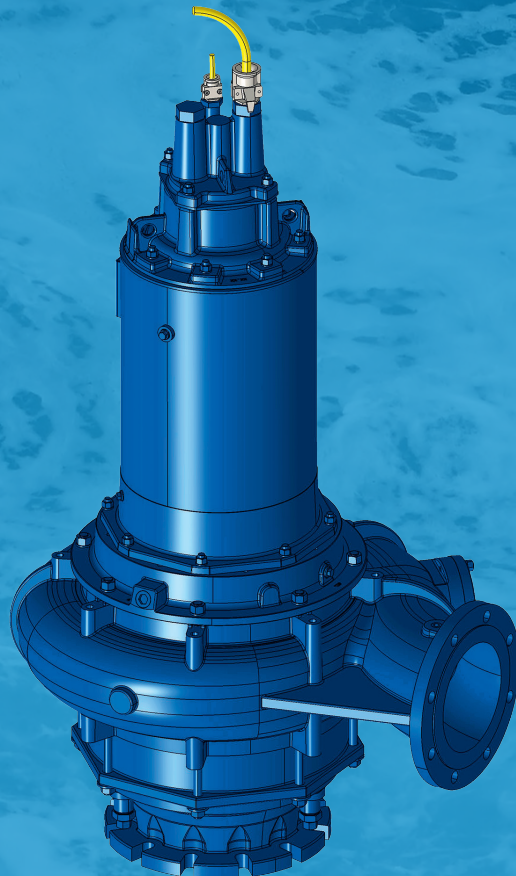


Immersible Pumps

Hidrostat Screw Centrifugal Immersible Pumps are capable of continuously operating in a dry installation. They run with equal performance either in air, fully or partially submerged.



Immersible Pumps operate continuously in air and under water

Hidrostal Immersible pumps successfully handle difficult municipal and industrial wastewater. Viscous liquids, fragile flocs, and even live fish pose no problem.

Long trouble-free operation

Hidrostal's dry well immersible pumps have independent closed loop cooling that enables the motor to run either in a wet or dry well. As these immersible units do not use pumped media to cool the motors there are no problems of overheating due to slime build up in the cooling channel. The pumps are particularly suited for dry pit applications where the combination of the screw centrifugal impeller and immersible motor are the state-of-the art technology. Leakage of the pumped product is eliminated by tandem seals running in an oil bath, avoiding a situation commonly experienced with soft-packed glands. Hidrostal immersible waste water / sewage pump stations have frequently been mistaken for clean water stations, due to the lack of odor and the cleanliness of the buildings. Immersible pumps are particularly suitable for installation where quiet running, clean surroundings, reliable and long trouble-free operation are required.

Specifications

- Discharge Sizes: 50 - 700 mm (2 - 28")
- Suction Sizes: 65 - 700 mm (2.5 - 28")
- Head: 0.5 - 90 m (2 - 300 ft)
- Flow: 0.5 - 3000 l/s (7 - 47500 gpm)
- Power: 0.1 - 650 kW (0.1 HP - 870 HP)
- Frequencies: 50 Hz, 60 Hz, VFD
- Materials: Cast Iron, Ductile Iron, Hi-Chrome, Stainless Steel, Duplex



Product Highlights

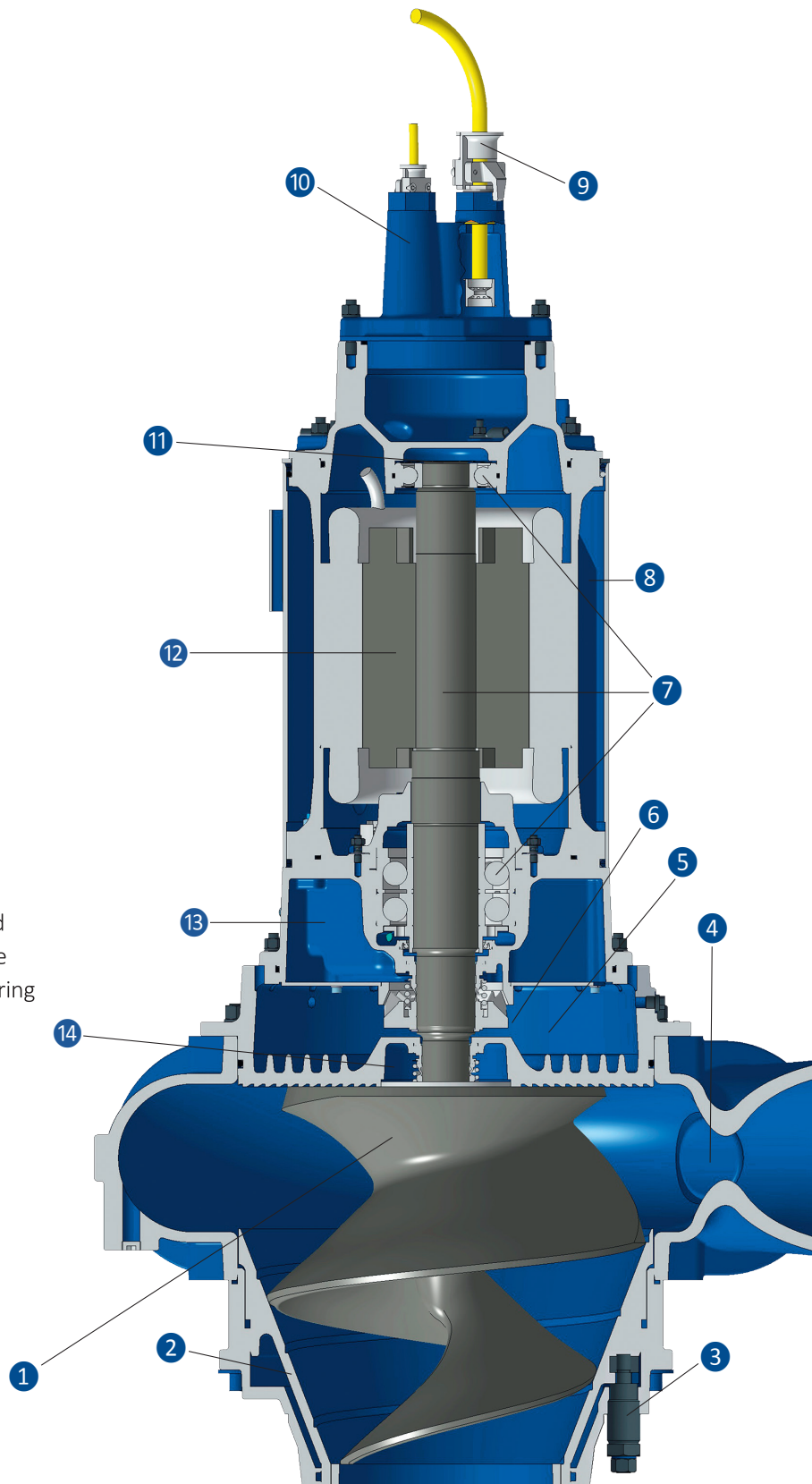
Advantages of dry-well installation

- Quiet running
- Cool exterior
- No leakage of product
- Compact, simple installation
- No exposed rotating shafts or couplings
- Pump easily opened for inspection
- Vertical or Horizontal installation
- Clean odor-free waste water pump stations

Advantages of wet pit installation

- Pumps can be installed in the same manner as submersible pumps
- Liquid level can be drawn down to pump casing without risk of overheating the motor
- Shallower sumps compared to conventional submersible pump installations

- 1 Heavy duty impeller
- 2 Optional adjustable replaceable liner
- 3 External regulating nuts
- 4 Inspection port
- 5 Finned back cover acts as heat exchanger
- 6 Oil circulation impeller locked onto shaft
- 7 Heavy duty shaft and bearings
- 8 Oil jacket with forced circulation for efficient cooling of immersible motor
- 9 Leakproof and high strength cable entry gland
- 10 Separate cable cap permits a new cable to be fitted without disturbing motor cover or bearing
- 11 Upper bearing temperature probe (optional)
- 12 High efficiency dry motor with class «F» insulation with built in thermal sensors
- 13 Various monitoring options
- 14 Tandem mechanical seals



Hidrostal Pumps

Make a quick and accurate pump selection:
www.hidrostal.com/pumpselector.php



Due to their outstanding characteristics, Hidrostal pumps are used in numerous municipal and industrial sectors all around the world. Our pumps are custom-made and are specially tailored to the needs of each location. Our specialists select the suitable material combinations and individually adapt every pump to the local conditions. We ensure with this process that Hidrostal pumps are successful in difficult applications and achieve the best results with respect to performance, energy efficiency and low life-cycle costs.

- clog-free pumping
- high suction capacity
- gentle delivery due to low shear forces
- high efficiency
- stable, steep pump curve
- long service life
- low pulsation
- continuous flow proportional to the speed
- high pressure stability across a wide speed range



info@hidrostal.com
www.hidrostal.com

